



# BEVERAGE-AIR

Project: _____	AIA#
Item: _____	SIS#
Location: _____	
Approved: _____	

## MARKETEER™ MERCHANDISERS REFRIGERATOR

MODEL:  
MT21-1B

MT21 Black Hinged Door Model  
Hydrocarbon Series



**3 Year Parts/Labor Warranty**  
**Additional 4 Year Compressor Warranty**

### CABINET CONSTRUCTION

- Standard cabinet exterior finish is a durable black coating on heavy duty steel
- Heavy duty interior construction includes white coated steel
- Full electronic control
- One piece grille
- Double pane lowE argon filled glass doors feature outside pane that is tempered for added safety
- Self-closing glass door with pocket door handle
- LED lighting
- Four (4) shelves per door section

### OPTIONS & ACCESSORIES

- White steel exterior
- Extra shelves
- 2" Leveling feet
- 2", 3" Casters

### REFRIGERATION SYSTEM

- Refrigeration system uses R290 refrigerant to comply with all environmental standards
- Low maintenance condenser

**MT21™ MERCHANDISER REFRIGERATOR**



Please verify qualifying units by visiting:  
[www.energystar.gov/cfs](http://www.energystar.gov/cfs)

3779 Champion Blvd., Winston-Salem, NC 27105  
1-888-845-9800 Fax: 1-336-245-6453  
Beverage-Air.com Sales@bevair.com

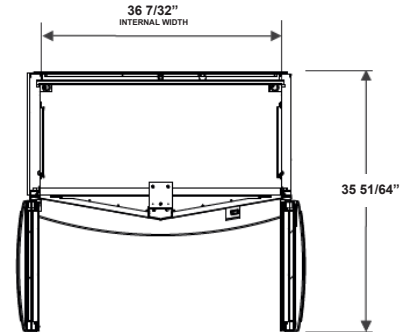


# BEVERAGE-AIR

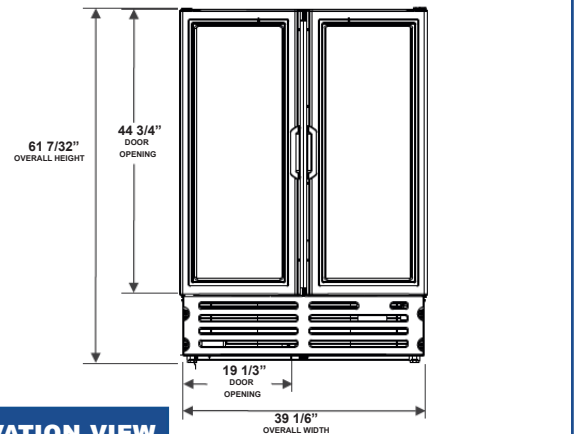
MODEL	MT21-1B
<b>EXTERNAL DIMENSIONAL DATA</b>	
Width Overall	39 1/8"
Depth Overall	24 1/2"
Height Overall	61 7/32"
Number of Doors	2
Depth with Door Open 90°	35 5/64"
Door Opening (in)	19 1/3" x 44 3/4"
<b>INTERNAL DIMENSIONAL DATA</b>	
NET Capacity (cubic ft.)	16.77
Internal Width Overall (in)	36 7/32"
Internal Depth Overall (in)	17 23/32"
Internal Height Overall (in)	39 3/4"
Number of Shelves	8
<b>ELECTRICAL DATA</b>	
Full Load Amperes 115/60/1	3.6
<b>REFRIGERATION DATA</b>	
Horsepower*	1/6
<b>WEIGHT DATA</b>	
Gross Weight	254 lbs
Height - Crated	64 1/4"
Width - Crated	42 1/2"
Depth - Crated	28"

## Top Mount Reach-In Refrigerator Model: MT21-1B

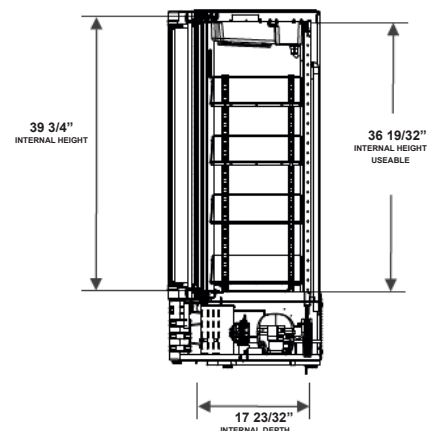
### Model Views



### PLAN VIEW



### ELEVATION VIEW



### SIDE VIEW

### \*ELECTRICAL CONNECTION



115/60/1  
NEMA 5-15P

Unit pre-wired at factory and include cord and plug set.



3779 Champion Blvd., Winston-Salem, NC 27105 1-888-845-9800 Fax: 1-336-245-6453 Beverage-Air.com Sales@bevair.com

an Ali Group Company



The Spirit of Excellence