



BEVERAGE-AIR

Project: _____

AIA#

Item: _____

Location: _____

SIS#

Approved: _____

WTF WORKTOP FREEZER

WTF27AHC Solid Door

Hydrocarbon Series

MODELS:

WTF27AHC-23



WTF27AHC-23

3 Year Parts/Labor Warranty
Additional 4 Year Compressor Warranty

CABINET CONSTRUCTION

- Stainless steel front, sides, door(s), (*galvanized back & bottom*)
- Stainless steel top
- Interior liner is made of corrosion resistant aluminum
- Full electronic control
- Interior thermometer is standard
- Self-closing doors with 120° Stay-open feature, on cartridge style hinges
- Magnetic gasket attached to each door for positive seal
- Painted aluminum door handle
- 4" High removable backsplash
- 3" Casters
- Two epoxy-coated steel wire shelves standard
- Field-reversible doors

OPTIONS & ACCESSORIES

- Stainless steel back, grille
- Drawer option
- Glass door
- Shelf divider
- 6" Casters or legs
- Low profile casters
- Cutting board
- Foot pedal door opener

REFRIGERATION SYSTEM

- Refrigeration system uses R290 refrigerant to comply with all environmental concerns
- Automatic, non-electric evaporator
- System is serviceable from rear
- Epoxy coated evaporator coil

WTF27AHC Worktop Freezer: Food Prep Series



3779 Champion Blvd., Winston-Salem, NC 27105

1-888-845-9800 Fax: 1-336-245-6453

Beverage-Air.com sales@bevair.com



BEVERAGE-AIR

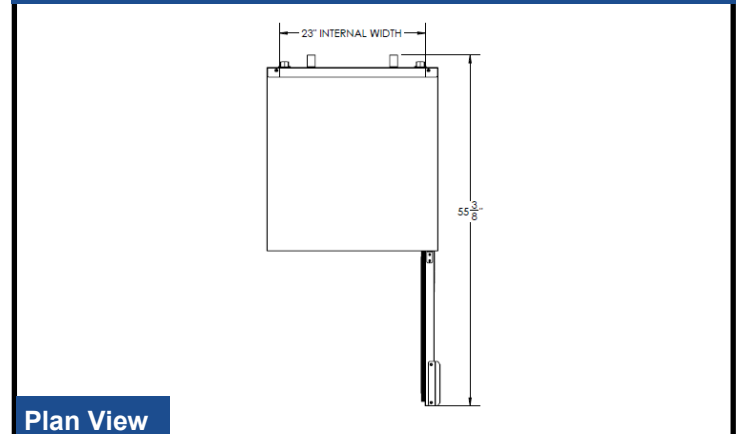
Worktop Freezer

Solid Door

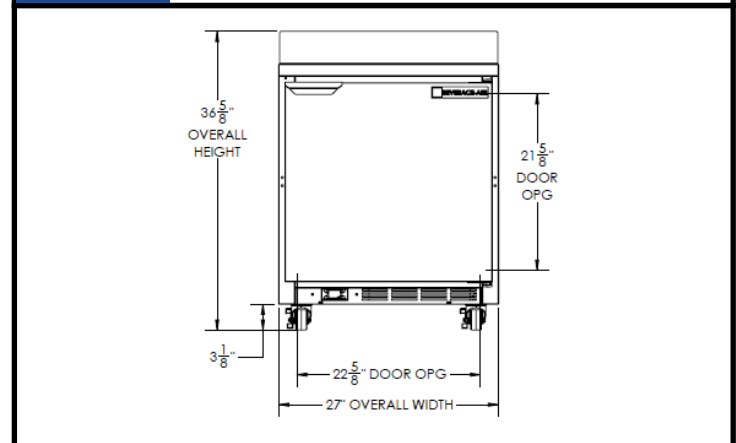
Models: WTF27AHC-23

MODEL	WTF27AHC-23
EXTERNAL DIMENSIONAL DATA	
Width Overall	27"
Depth Overall with Handle & Bumper	32 1/8"
Height Overall with 3" Casters	36 5/8"
Number of Doors	1
Depth with Door Open 90 °	55 3/8"
Solid Door Opening (in)	22 5/8" x 21 5/8"
Shelf Area	Upper 389 3/8 Lower 322 5/8
INTERNAL DIMENSIONAL DATA	
NET Capacity (cubic ft.)	6.03
Internal Width Overall (in)	23"
Internal Depth Overall (in)	15 1/2"
Internal Height Overall (in)	23"
Number of Shelves	2
ELECTRICAL DATA	
Full Load Amperes 115/60/1	6
REFRIGERATION DATA	
Horsepower	1/2
Capacity (BTU/Hr)*	1418
WEIGHT DATA	
Gross Weight	186 lbs
Height - Crated	36"
Width - Crated	30"
Depth - Crated	32"

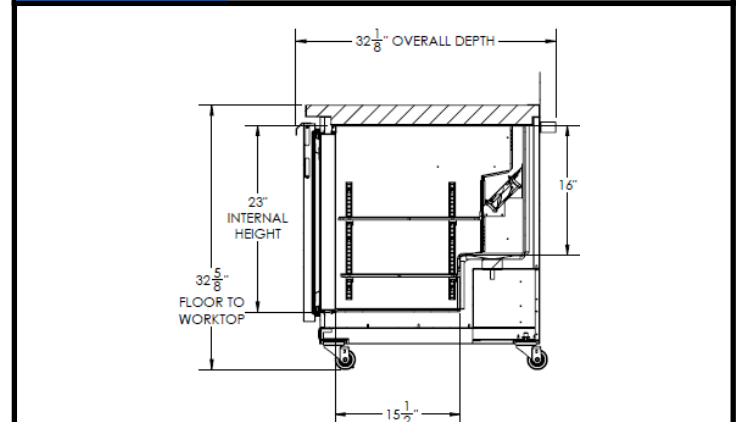
Model Views



Plan View



Elevation View



Side View

ELECTRICAL CONNECTION



115/60/1
NEMA-5-15P

Units pre-wired at factory and include 8' long cord and plug set.



an Ali Group Company



The Spirit of Excellence

3779 Champion Blvd., Winston-Salem, NC 27105
1-888-845-9800 Fax: 1-336-245-6453