



BEVERAGE-AIR

Project: _____

AIA#

Item: _____

Location: _____

SIS#

Approved: _____

RI REACH-IN REFRIGERATORS

RI18HC Half Solid Half Glass Door Bottom Mount
Hydrocarbon Series

MODELS:
RI18HC-HGS-26



RI18HC-HGS-26

3 Year Parts/Labor Warranty
Additional 4 Year Compressor Warranty

CABINET CONSTRUCTION

- Stainless steel exterior and interior
- Full electronic control
- Interior LED Light
- Bottle cartridge kit
- Five (5) shelves standard, long tab clips provided for slanted feature
- One piece grille
- Cartridge style hinges
- 120° hold open feature
- Snap-in magnetic door gasket
- 3" Heavy duty casters standard
- Maintains temperature between 36°F - 38°F

OPTIONS & ACCESSORIES

- 6" legs optional
- RI18HC-HGS-26 right hand hinged door (standard)
- RI18HC-HGS-26-18 left hand hinged door

REFRIGERATION SYSTEM

- Refrigeration system uses R290 refrigerant to comply with all environmental concerns
- Automatic, non-electric evaporator
- Epoxy coated evaporator coil

RI18HC BOTTOM MOUNT REACH-INS: RI Series Models



3779 Champion Blvd., Winston-Salem, NC 27105
1-888-845-9800 Fax: 1-336-245-6453
Beverage-Air.com sales@bevair.com



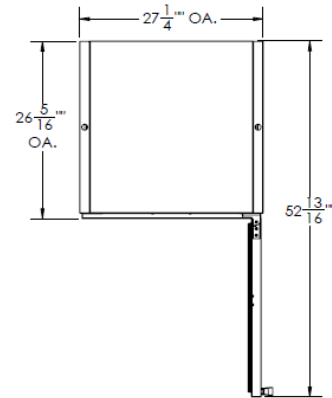
BEVERAGE-AIR

Bottom Mount Reach-In Half Solid Half Glass Door

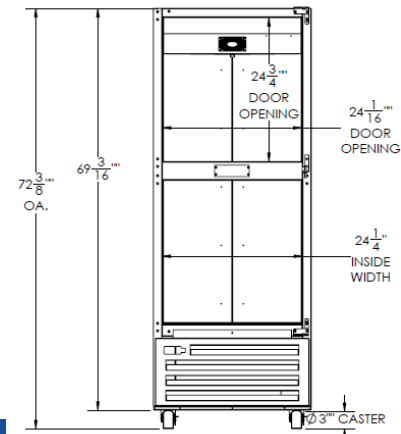
Models: RI18HC-HGS-26

MODEL	RI18HC-HGS-26
EXTERNAL DIMENSIONAL DATA	
Width Overall	27 1/4"
Depth Overall with Handle	29 1/4"
Height Overall with 3" Casters	72 3/8"
Number of Doors	2
Depth with Door Open 90°	52 13/16"
Door Opening (inches)	24 3/4" x 24 1/16"
Shelf Area	501 3/16"
INTERNAL DIMENSIONAL DATA	
NET Capacity (cubic ft.)	16.85
Internal Width Overall (in)	24 1/4"
Internal Depth Overall (in)	23 7/8"
Internal Height Overall—(in)	Front 52 15/16" Rear 46 11/16"
Number of Shelves	5
ELECTRICAL DATA	
Full Load Amperes 115/60/1	5.5
REFRIGERATION DATA	
Horsepower	1/4
Capacity (BTU/Hr)*	1997
WEIGHT DATA	
Gross Weight Lbs	334 lbs
Height - Crated	75"
Width - Crated	30"
Depth - Crated	31 1/2"

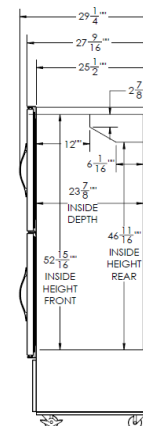
Model Views



Plan View



Elevation View



Side View

ELECTRICAL CONNECTION



Units pre-wired at factory and include 8' long cord and plug set.



an Ali Group Company



3779 Champion Blvd., Winston-Salem, NC 27105
1-888-845-9800 Fax: 1-336-245-6453