



BEVERAGE-AIR

Project: _____

AIA#

Item: _____

Location: _____

SIS#

Approved: _____

SPED ELITE SERIES FOOD PREPARATION TABLES

SPED32HC Mega Top Sandwich Prep Table & Drawers

Hydrocarbon Series

MODELS:

SPED32HC-12M-2



SPED32HC-12M-2

**3 Year Parts/Labor Warranty
Additional 2 Year Compressor Warranty**

CABINET CONSTRUCTION

- Stainless steel front, sides, top, drawers, and grille (*galvanized steel back & bottom*)
- Interior liner is made of corrosion resistant aluminum
- Removable hoods & insulated lid assemblies are made of matching stainless steel
- Painted aluminum drawer handles
- 6" Casters, 2 with brakes standard
- 10" Wide cutting board constructed of white polyethylene plastic
- Cutting board removable for cleaning
- Stainless steel drawer frames supported on telescoping drawer slides
- Drawer slides include locking mechanism that prevents drawers from being inadvertently pulled off cabinet
- Furnished twelve (12) 1/6 4" deep pans constructed of polycarbonate plastic. Prep rail, top and bottom drawers accommodate 6" deep pans
- Maintains product temperature between 36° - 38°F

OPTIONS & ACCESSORIES

- Stainless steel back options
- Stainless steel interior options
- Overshelves (single or double)
- Crumb catcher
- Modified pan openings
- 6" Legs
- 3" Casters
- Low profile casters
- Richlite cutting board
- Night cover
- Remote option

REFRIGERATION SYSTEM

- Refrigeration system uses R290 refrigerant to comply with all environmental concerns
- Automatic, non-electric defrost
- Epoxy coated evaporator coil

SPED32HC Elite Series Sandwich Prep: Mega Top Series



3779 Champion Blvd., Winston-Salem, NC 27105
1-888-845-9800 Fax: 1-336-245-6453
Beverage-Air.com sales@bevair.com



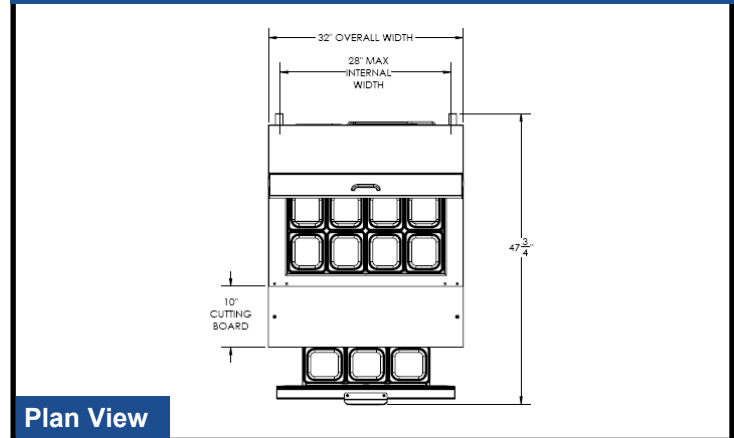
BEVERAGE-AIR

MODEL	SPED32HC-12M-2
EXTERNAL DIMENSIONAL DATA	
Width Overall	32"
Depth Overall with Cutting Board & Bumper	38 3/8"
Height Overall with 6" Casters	48 7/8"
Number of Drawers	2
Depth with Drawer Open Extended	47 3/4"
Depth, Cutting Board	10"
INTERNAL DIMENSIONAL DATA	
NET Capacity (cubic ft.)	8.0
Internal Width Overall (in)	28"
Internal Depth Overall (in)	23 3/8"
Internal Depth Useable (in)	15 1/4"
Internal Height Overall (in)	23"
Internal Height Useable (in)	17 3/8"
Number of Pans	(12) 1/6
ELECTRICAL DATA	
Full Load Amperes 115/60/1	2.0
REFRIGERATION DATA	
Horsepower	1/6
Capacity (BTU/Hr)*	1094
WEIGHT DATA	
Gross Weight (Crated lbs)	274 lbs
Height - Crated	48"
Width - Crated	37"
Depth - Crated	35 1/2"

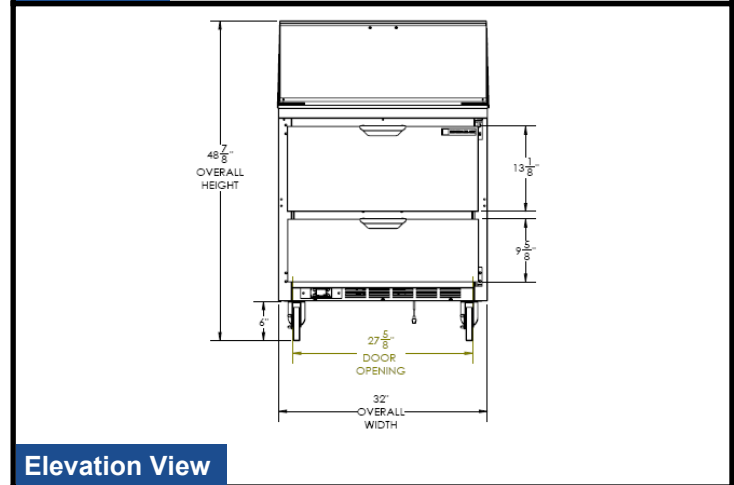
Food Preparation Table — Mega Top

Models: SPED32HC-12M-2

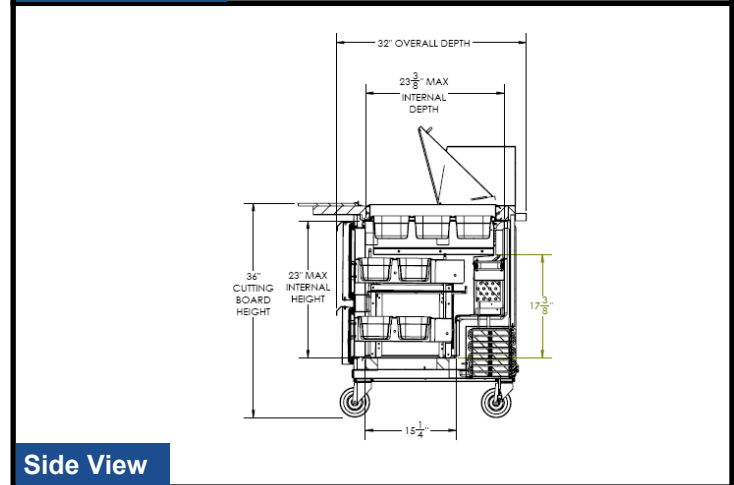
Model Views



Plan View



Elevation View



Side View

ELECTRICAL CONNECTION



115/60/1
NEMA-5-15P

Units pre-wired at factory and include 8' long cord and plug set.



an Ali Group Company



The Spirit of Excellence

3779 Champion Blvd., Winston-Salem, NC 27105
1-888-845-9800 Fax: 1-336-245-6453
Beverage-Air.com sales@bevair.com