



BEVERAGE-AIR

Project: _____

AIA#

Item: _____

Location: _____

SIS#

Approved: _____

DW HORIZONTAL BOTTLE COOLERS

DW79HC Stainless Steel Deep Well Series

Hydrocarbon Series

**MODEL:
DW79HC-S**

DW79HC Deep Well Series: Horizontal Bottle Cooler

**3 Year Parts/Labor Warranty
Additional 2 Year Compressor Warranty**

CABINET CONSTRUCTION

- Stainless steel exterior
- Interior is galvanized with stainless steel floor
- Full electronic control
- Tops include easy glide, stainless steel lids and stainless steel counter top
- Countertop with integral glass stops
- Three (3) Epoxy coated adjustable wire dividers
- Bottle cap & cap catcher standard
- Forced air refrigeration system holds product between 36°- 40°F
- Constructed with high cooling RPM fans to provide fast cooling



DW79HC-S

OPTIONS & ACCESSORIES

- Black exterior
- Stainless steel interior
- Lid Locks
- 3" casters or 6" Adjustable leg with plate
- Wine temperature models available
- Wine temperature 40°-60°F

REFRIGERATION SYSTEM

- Refrigerant is R290 to comply with all environmental safety concerns
- Self-defrosting evaporator
- Automatic, non-electric evaporator
- Evaporator coil is coated in



3779 Champion Blvd., Winston-Salem, NC 27105
1-888-845-9800 Fax: 1-336-245-6453
Beverage-Air.com sales@bevair.com

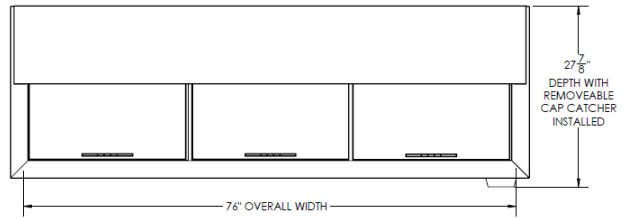


BEVERAGE-AIR

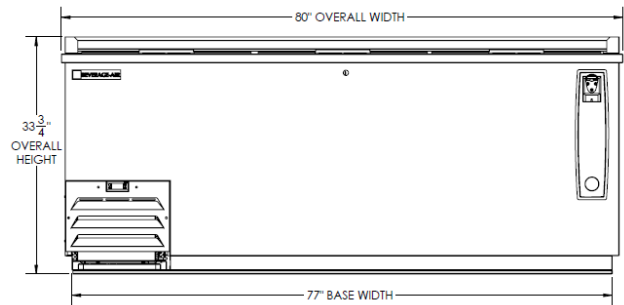
MODEL	DW79HC-S
EXTERNAL DIMENSIONAL DATA	
Width Overall	80"
Depth Overall	26 1/2"
Depth Overall with Cap Catcher	27 7/8"
Height Overall	33 3/4"
Number of Lids	3
INTERNAL DIMENSIONAL DATA	
NET Capacity (cubic ft.)	24.1
Internal Width Overall (in)	76"
Internal Depth Overall (in)	22 3/4"
Internal Height at Step	15 5/8"
Internal Height Overall (in)	26 3/4"
Number of Dividers	5
12 oz. Bottle Capacity	25 1/4 Cases
12 oz. Can Capacity	34 3/4 Cases
ELECTRICAL DATA	
Full Load Amperes 115/60/1	2.5
REFRIGERATION DATA	
Horsepower	1/4
Capacity (BTU/Hr)*	1702
WEIGHT DATA	
Gross Weight (Crated lbs)	432 lbs
Height - Crated	38"
Width - Crated	83"
Depth - Crated	29 1/2"

Horizontal Bottle Coolers Deep Well Models Models: DW79HC-S

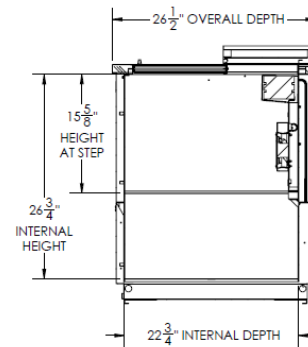
Model Views



Plan View



Elevation View



Side View

ELECTRICAL CONNECTION



115/60/1
NEMA-5-15P

Units pre-wired at factory and include 8' long cord and plug set.



an Ali Group Company



The Spirit of Excellence

3779 Champion Blvd., Winston-Salem, NC 27105
1-888-845-9800 Fax: 1-336-245-6453
Beverage-Air.com sales@bevair.com