



BEVERAGE-AIR

Project: _____

AIA#

Item: _____

Location: _____

SIS#

Approved: _____

DD Draft Beer Equipment-Direct Draw Dispenser

DD24HC Solid Door Dual Draft Arm

Hydrocarbon Series

MODELS:

DD24HC-1-B-024-Wine

DD24HC-1-S-024-Wine



DD24HC-1-S-024-Wine



DD24HC-1-S-024-Wine

3 Year Parts/Labor Warranty
Additional 2 Year Compressor Warranty

CABINET CONSTRUCTION

- Stainless steel finish, top is made from heavy-duty stainless steel including drip tray
- Interior is galvanized steel on walls and ceiling, reinforced floor and doorsill are heavy duty stainless steel
- Full electronic control
- Drain tube located at bottom front of cooler for connection to floor drain
- Four-inch (4") heavy duty casters standard
- 3" Insulated dispensing tower
- Dual draft arm
- Self-closing door with lock
- Magnetic gaskets provide positive door seal
- Field reversible door
- Compressor available on left or right, specify at time of unit order
- Maintains wine temps between 40° - 60°F for storage of red or white wines

OPTIONS & ACCESSORIES

- Stainless steel finish available
- Turbo taps
- Club top models available
- Leg accessory kits
- Faucet locks
- Glass rinser
- 1-4 Tap tower
- 2, 3 & 4 way manifolds
- Dial/digital thermometer

REFRIGERATION SYSTEM

- Refrigeration system uses R290 refrigerant to comply with all environmental concerns
- Models feature forced air refrigeration to keep beer in kegs ice cold for dispensing
- Automatic, non-electric evaporator
- Epoxy coated evaporator coil

DD24HC Direct Draw Dispenser: Dual Draft Arm Models



3779 Champion Blvd., Winston-Salem, NC 27105
1-888-845-9800 Fax: 1-336-245-6453
Beverage-Air.com sales@bevair.com



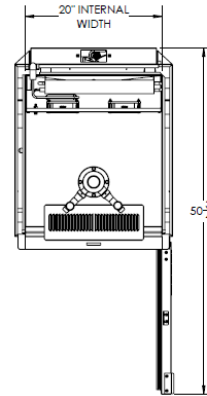
BEVERAGE-AIR

Bar Equipment-Direct Draw Dispenser Solid Door Dual Draft Arm

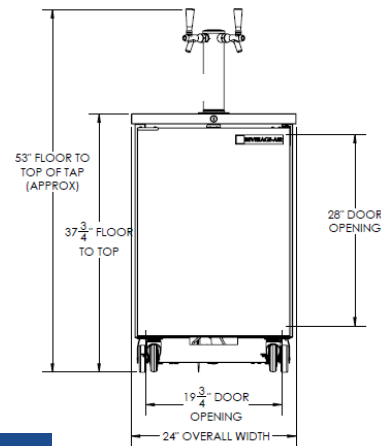
Models: DD24HC-1-B-024-Wine, DD24HC-1-S-024-Wine

MODEL	DD24HC-1-B-024-Wine	DD24HC-1-S-024-Wine
EXTERNAL DIMENSIONAL DATA		
Width Overall	24"	24"
Depth Overall	30 1/8"	30 1/8"
Height Overall	53"	53"
Number of Doors	1	1
Door Open (inches)	19 3/4" x 28"	19 3/4" x 28"
Depth with Door Open 90°	50 3/4"	50 3/4"
INTERNAL DIMENSIONAL DATA		
NET Capacity (cubic ft.)	7.66	7.66
Internal Width Overall (in)	20"	20"
Internal Depth Overall (in)	22 1/4"	22 1/4"
Internal Height Overall (in)	23 1/2"	23 1/2"
Number of Kegs	1	1
ELECTRICAL DATA		
Full Load Amperes 115/60/1	2	2
REFRIGERATION DATA		
Horsepower	1/6	1/6
Capacity (BTU/Hr)*	993	993
WEIGHT DATA		
Gross Weight (Crated lbs)	182 lbs	184 lbs
Height - Crated	45"	46"
Width - Crated	31"	32"
Depth - Crated	28"	27"

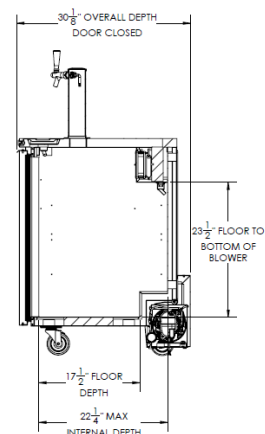
Model Views



Plan View



Elevation View



Side View

ELECTRICAL CONNECTION



115/60/1
NEMA-5-15P

Units pre-wired at factory and include 8' long cord and plug set.



an Ali Group Company



The Spirit of Excellence

3779 Champion Blvd., Winston-Salem, NC 27105
1-888-845-9800 Fax: 1-336-245-6453
Beverage-Air.com sales@bevair.com