



BEVERAGE-AIR

Project: _____

AIA#

Item: _____

Location: _____

SIS#

Approved: _____

WTRF DUAL-TEMP WORKTOP WTRF48A Worktop Freezer/Refrigerator

MODELS:
WTRF48A-1-SA-A
WTRF48A-1-SA-B

WTRF48A Worktop Freezer/Refrigerator: Food Prep Series



WTRF48A-1-SA

3 Year Parts/Labor Warranty
Additional 2 Year Compressor Warranty

CABINET CONSTRUCTION

- Stainless steel front, sides, doors, and grille (*galvanized back & bottom*)
- Interior liner is made of corrosion resistant aluminum
- Interior thermometer is standard
- Door is self-closing on cartridge style hinges
- 120° Stay-open door feature
- Door opening includes low wattage, anti-condensate heaters
- Easy door removal for service and cleaning
- Magnetic gasket attached to each door for positive seal
- Painted aluminum door handles
- 6" Casters, 2 with brakes standard
- Two epoxy-coated steel wire shelves standard
- Field-reversible doors
- Refrigerator maintains product temperatures between 36°F and 38°F
- Freezer maintains product temperature from 0°F and below

OPTIONS & ACCESSORIES

- Stainless steel back and grille
- Stainless steel interior
- Right or left hinged door
- Locks (solid doors only)
- Bun rack
- Wire shelf divider
- Cutting board
- Thermometer digital or stem type dial
- 3" Casters or 6" legs
- Low profile casters
- Remote option

REFRIGERATION SYSTEM

- Freezer: Refrigeration system uses R404A refrigerant to comply with all environmental concerns
- Automatic, electric defrost
- Refrigerator: Refrigeration system uses R134A refrigerant to comply with all environmental concerns
- Automatic, non-electric defrost
- Epoxy coated evaporator coil



3779 Champion Blvd., Winston-Salem, NC 27105
1-888-845-9800 Fax: 1-336-245-6453
Beverage-Air.com sales@bevair.com

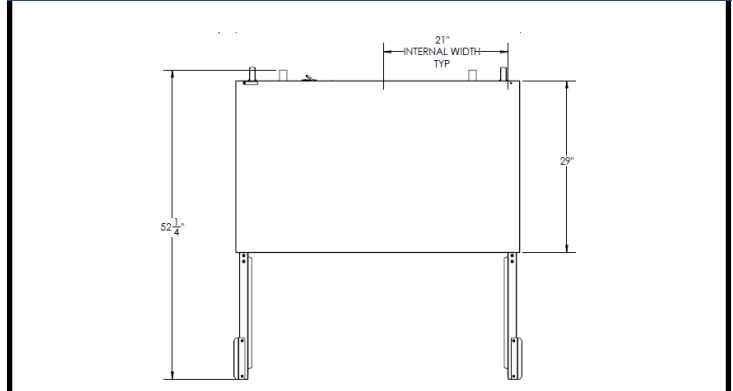


BEVERAGE-AIR

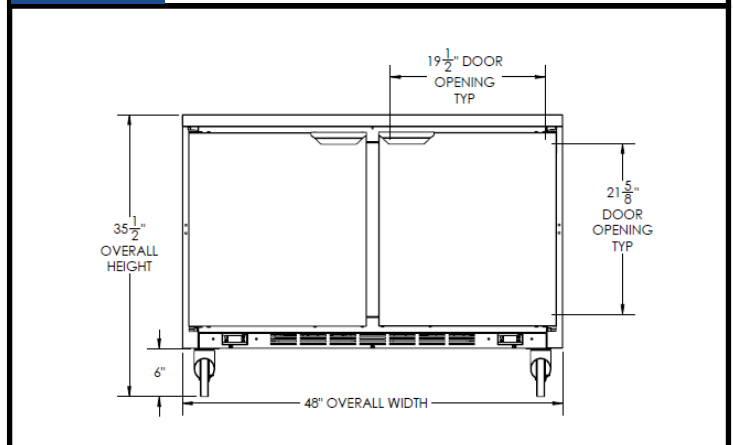
Worktop Freezer/Refrigerator - Dual-Temp Models: WTRF48A-1-SA-A, WTRF48A-1-SA-B

MODEL	WTRF50A-1-SA
EXTERNAL DIMENSIONAL	
Width Overall	48"
Depth Overall	32"
Height Overall with 6" casters	35 1/2"
Number of Doors	2
Depth with Door Open 90°	52 1/4"
Door Opening (in)	19 1/2" x21 5/8"
INTERNAL DIMENSIONAL	
NET Capacity (cubic ft.) Refrigerator	5.31
NET Capacity (cubic ft.) Freezer	5.31
Internal Width Overall (in)	(2) 21"
Internal Depth Overall (in)	15 3/8"
Internal Height Overall (in)	23"
Number of Shelves	4
ELECTRICAL DATA	
Full Load Amperes Refrigerator 115/60/1	4.0
Full Load Amperes Freezer 115/60/1	5.5
REFRIGERATION DATA	
Horsepower Refrigerator	1/4
Horsepower Freezer	1/2
Capacity (BTU/Hr)* Refrigerator	848
Capacity (BTU/Hr)* Freezer	739
WEIGHT DATA	
Gross Weight (Crated lbs)	302 lbs
Height - Crated	36"
Width - Crated	51"
Depth - Crated	32"

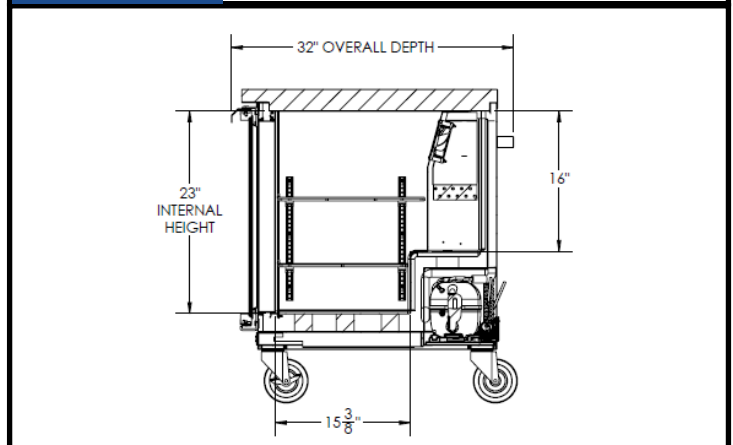
Model Views



Plan View

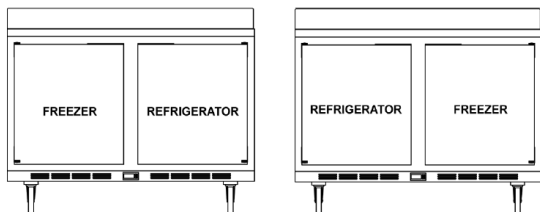


Elevation View




Side View

FLEXIBLE DOOR CONFIGURATIONS



ELECTRICAL CONNECTION

Units pre-wired at factory and include 8' long cord and plug set.



115/60/1
NEMA-5-15P



an Ali Group Company



3779 Champion Blvd., Winston-Salem, NC 27105
1-888-845-9800 Fax: 1-336-245-6453
Beverage-Air.com sales@bevair.com