



# BEVERAGE-AIR

Project: _____	AIA#
Item: _____	SIS#
Location: _____	
Approved: _____	

## UCR UNDERCOUNTER

### UCR93AHC Undercounter Refrigerator Hydrocarbon Series

**MODELS:  
UCR93AHC**

<p><b>3 Year Parts/Labor Warranty Additional 2 Year Compressor Warranty</b></p>
---

### CABINET CONSTRUCTION



**UCR93AHC**

- Stainless steel front, sides, top, doors, (*galvanized steel back & bottom*)
- Interior liner is made of corrosion resistant aluminum
- Full electronic control
- Undercounter feature a 1/2" thick sub-top
- Interior thermometer is standard
- Self-closing doors with 120° stay-open feature, on cam-lift hinges
- Easy door removal for service and cleaning
- Magnetic gasket attached to each door for positive seal
- Painted aluminum door handles
- 6" Casters, two (2) with brakes standard
- Two epoxy-coated steel wire shelves per section standard
- Field reversible doors
- Refrigerators operate at 36°-38°F for optimum food preservation

### OPTIONS & ACCESSORIES

- Stainless steel interior available
- Stainless steel back
- 6" Legs
- 3" Casters
- Low profile casters
- Foot pedal door opener

### REFRIGERATION SYSTEM

- Refrigeration system uses R290 refrigerant to comply with all environmental concerns
- Automatic, non-electric evaporator
- System is serviceable from front
- Epoxy coated evaporator coil

**UCR93AHC Undercounter Refrigerator: Food Prep Series**



3779 Champion Blvd., Winston-Salem, NC 27105  
 1-888-845-9800 Fax: 1-336-245-6453  
 Beverage-Air.com sales@bevair.com



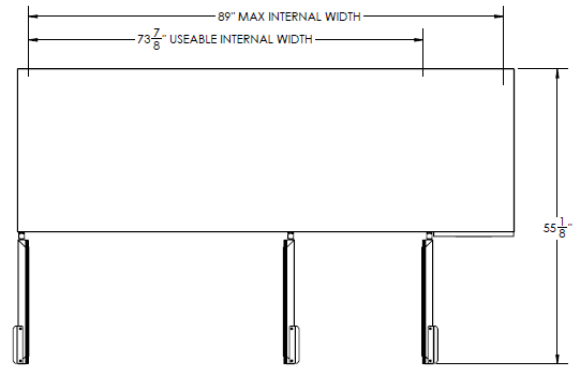
# BEVERAGE-AIR

MODEL	UCR93AHC
<b>EXTERNAL DIMENSIONAL DATA</b>	
Width Overall	93"
Depth Overall with Handle & Bumper	32 7/8"
Height Overall with 6" Casters	34 1/2"
Number of Doors	3
Depth with Door Open 90°	55 1/8"
Door Opening (in)	21 5/8" x 23 5/8"
Shelf Area (sq. in)	552 1/2"
<b>INTERNAL DIMENSIONAL DATA</b>	
NET Capacity (cubic ft.)	29.7
Internal Width Overall (in)	89"
Internal Width Useable (in)	73 7/8"
Internal Depth Overall (in)	26"
Internal Height Overall (in)	25"
Number of Shelves	6
<b>ELECTRICAL DATA</b>	
Full Load Amperes 115/60/1	5
<b>REFRIGERATION DATA</b>	
Horsepower	1/3
Capacity (BTU/Hr)*	2629
<b>WEIGHT DATA</b>	
Gross Weight (Crated lbs)	468 lbs
Height - Crated	40"
Width - Crated	96"
Depth - Crated	37"

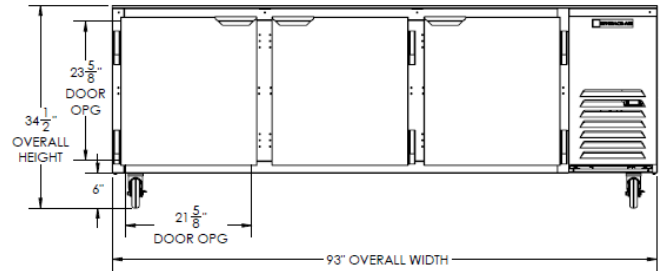
## Undercounter Refrigerators

Models: UCR93AHC

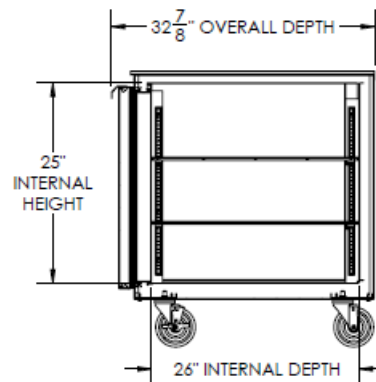
### Model Views



### Plan View



### Elevation View



### Side View

### ELECTRICAL CONNECTION



115/60/1  
NEMA-5-15P

Units pre-wired at factory and include 8' long cord and plug set.



an Ali Group Company



The Spirit of Excellence

3779 Champion Blvd., Winston-Salem, NC 27105  
1-888-845-9800 Fax: 1-336-245-6453  
Beverage-Air.com sales@bevair.com