



# BEVERAGE-AIR

Project: _____	AIA#
Item: _____	SIS#
Location: _____	
Approved: _____	

## UCR UNDERCOUNTER

### UCR36AHC-25 Undercounter Refrigerator Hydrocarbon Series

**MODELS:**  
**UCR36AHC-25**



**UCR36AHC-25**

**3 Year Parts/Labor Warranty**  
**Additional 2 Year Compressor Warranty**

### CABINET CONSTRUCTION

- Stainless steel front, sides, top, doors, (*galvanized steel back & bottom*)
- Interior liner is made of corrosion resistant aluminum
- Full electronic control
- LED lights standard
- Undercounter feature a 1/2" thick sub-top
- Interior thermometer is standard
- Self-closing doors with 120° stay-open feature, on cartridge style hinges
- Easy door removal for service and cleaning
- Magnetic gasket attached to each door for positive seal
- Anti-microbial door handles
- 6" Casters, two (2) with brakes standard
- Two epoxy-coated steel wire shelves per section standard
- Field reversible doors
- Refrigerators operate at 36°-38°F for optimum food preservation

### OPTIONS & ACCESSORIES

- Stainless steel interior available
- Stainless steel back
- Cutting board top option
- Solid doors with lock
- Glass doors with lock
- 6" Legs
- 3" Casters
- Low profile casters
- Foot pedal door opener

### REFRIGERATION SYSTEM

- Refrigeration system uses R290 refrigerant to comply with all environmental concerns
- Automatic, non-electric evaporator
- System is serviceable from rear
- Epoxy coated evaporator coil

UCR36AHC-25 Undercounter Refrigerator: Food Prep Series



3779 Champion Blvd., Winston-Salem, NC 27105  
1-888-845-9800 Fax: 1-336-245-6453  
Beverage-Air.com sales@bevair.com



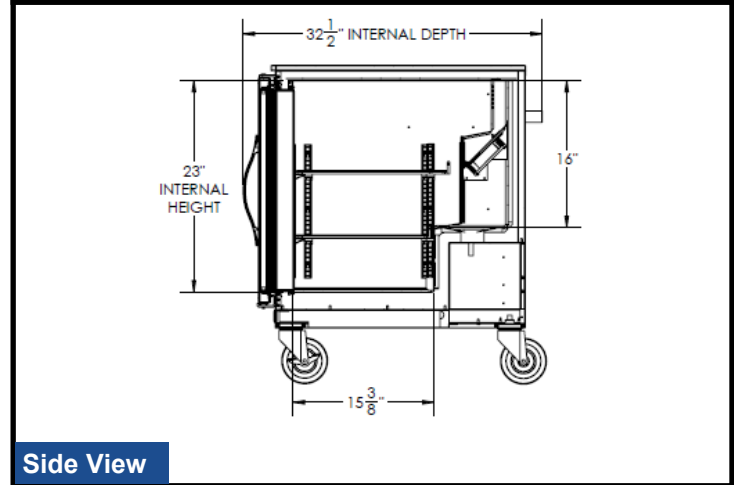
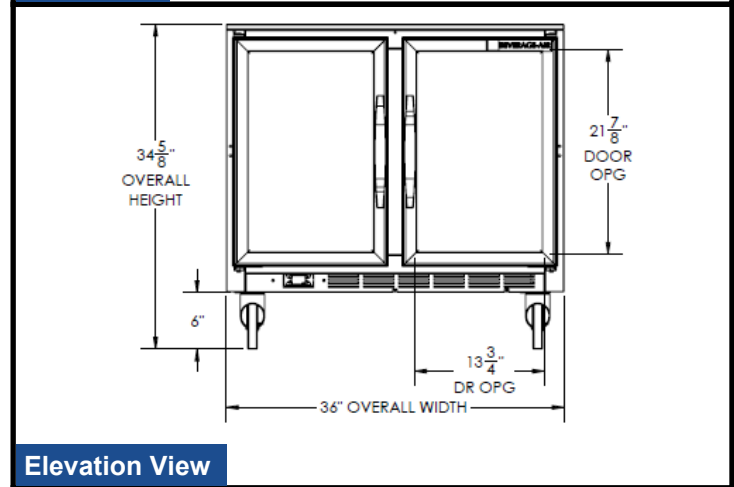
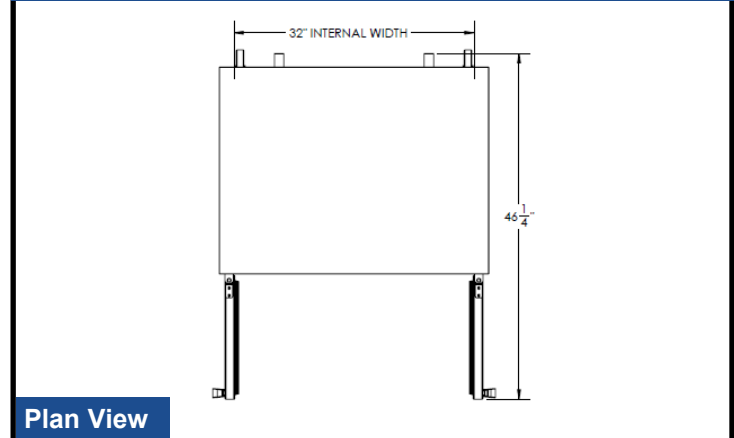
# BEVERAGE-AIR

MODEL	UCR36AHC-25
<b>EXTERNAL DIMENSIONAL DATA</b>	
Width Overall	36"
Depth Overall with Handle & Bumper	32 1/2"
Height Overall with 6" casters	34 5/8"
Number of Doors	2
Depth with Door Open 90°	46 1/4"
Clear Door Opening (in)	13 3/4" x 21 7/8"
Shelf Area (sq. in)	Upper 215 3/4" Lower 245 1/2"
<b>INTERNAL DIMENSIONAL DATA</b>	
NET Capacity (cubic ft.)	8.5
Internal Width Overall (in)	32"
Internal Depth Overall (in)	23 1/2"
Internal Depth Useable (in)	Upper 18 1/2" Lower 15 3/8"
Internal Height Overall (in)	23"
Internal Height Useable (in)	16"
Number of Shelves	4
<b>ELECTRICAL DATA</b>	
Full Load Amperes 115/60/1	2
<b>REFRIGERATION DATA</b>	
Horsepower	1/6
Capacity (BTU/Hr)*	993
<b>WEIGHT DATA</b>	
Gross Weight (Crated lbs)	215 lbs
Height - Crated	34"
Width - Crated	39"
Depth - Crated	32"

## Undercounter Refrigerators

Models: UCR36AHC-25

### Model Views



### ELECTRICAL CONNECTION



115/60/1  
NEMA-5-15P

Units pre-wired at factory and include 8' long cord and plug set.



an Ali Group Company



The Spirit of Excellence

3779 Champion Blvd., Winston-Salem, NC 27105  
1-888-845-9800 Fax: 1-336-245-6453  
Beverage-Air.com sales@bevair.com