



# BEVERAGE-AIR

|                 |      |
|-----------------|------|
| Project: _____  | AIA# |
| Item: _____     | SIS# |
| Location: _____ |      |
| Approved: _____ |      |

## CHEF BASE REFRIGERATOR

**MODEL:**  
**WTRCS60HC**

WTRCS60HC Two Drawer Chef Base  
Hydrocarbon Series

WTRCS60HC CHEF BASE REFRIGERATOR

**3 Year Parts/Labor Warranty**  
**Additional 4 Year Compressor Warranty**

### CABINET CONSTRUCTION

- Stainless steel front, sides, drawers and grille (galvanized back & bottom)
- Interior liner is made of corrosion resistant aluminum
- Top has full marine edge to prevent spills from dripping over sides
- Full electronic control
- One-piece, snap-in magnetic drawer gasket
- 12-Gauge stainless steel drawer slides with Delrin® rollers rated at 275 lbs
- Lifetime warranty on all drawers and slides
- Heavy duty, fire-proof, reinforced insulated 16 gauge top
- No heat shield required (must adhere to proper clearance per owners manual)
- Accommodates 6" deep full size food service pans (not included)
- Self-closing drawer feature
- Compressor available on left or right, specify at time of unit order
- 3" Casters, 2 with brakes standard



### OPTIONS & ACCESSORIES

- Stainless steel back
- Stainless steel interior
- Additional pan supports
- 6" Adjustable legs, 6" seismic legs
- 6" Casters
- Gasket guards
- Flat top overhang  
(up to 6" overhang on each side)
- Remote option\*  
(refrigerant must be specified at time of order, see note on back on page)

### REFRIGERATION SYSTEM

- Uses environmentally friendly, energy efficient R290 refrigerant, and meets all regulatory requirements for CARB, SNAP, DOE & more
- Adaptive defrost
- Non-electric defrost with hot gas condensate evaporation
- Maintains product temperature 36°F to 38°F



  
Please verify qualifying units by visiting:  
[www.energystar.gov/cfs](http://www.energystar.gov/cfs)

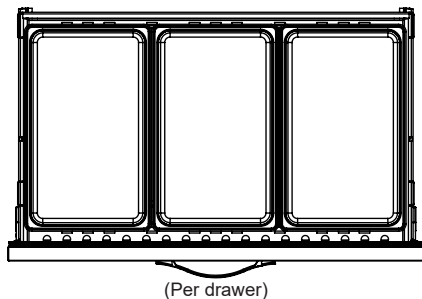
3779 Champion Blvd., Winston-Salem, NC 27105  
1-888-845-9800 Fax: 1-336-245-6453  
Beverage-Air.com Sales@bevair.com



# BEVERAGE-AIR

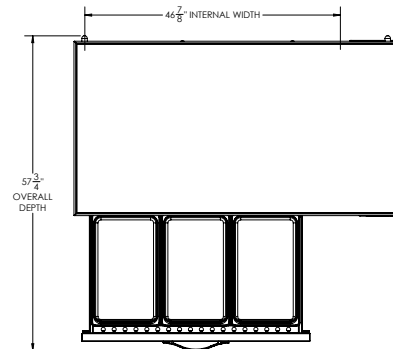
| MODEL                                | WTRCS60HC        |
|--------------------------------------|------------------|
| <b>EXTERNAL DIMENSIONAL DATA</b>     |                  |
| Width Overall                        | 60"              |
| Depth Overall (with handle & bumper) | 34 3/4"          |
| Height Overall (with casters)        | 24 3/8"          |
| Number of Drawers                    | 2                |
| Depth with Drawers Extended          | 57 3/4"          |
| Drawer Opening (in)                  | 40 3/8" x 6 1/2" |
| <b>INTERNAL DIMENSIONAL DATA</b>     |                  |
| NET Capacity (cubic ft.)             | 11.55            |
| Internal Width Overall (in)          | 46 7/8"          |
| Internal Depth Overall (in)          | 26"              |
| Internal Height Overall (in)         | 16 3/8"          |
| <b>ELECTRICAL DATA</b>               |                  |
| Full Load Amperes                    | 1.70             |
| <b>REFRIGERATION DATA</b>            |                  |
| Horsepower                           | 1/6              |
| Capacity (BTU/Hr)*                   | 1110             |
| <b>WEIGHT DATA</b>                   |                  |
| Gross Weight                         | 475 lbs          |
| Height - Crated                      | 27"              |
| Width - Crated                       | 38"              |
| Depth - Crated                       | 65"              |

\*NOTE: Remote units are field wired and comes with 6" legs. Refrigerant must be specified at time of order.

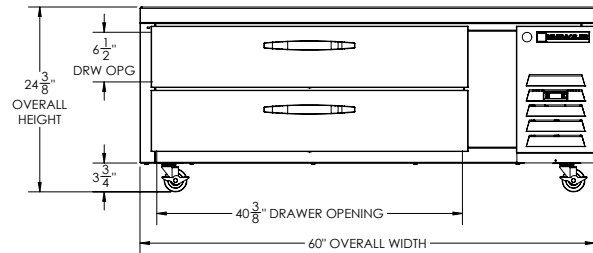


## Chef Base Refrigerator Model: WTRCS60HC

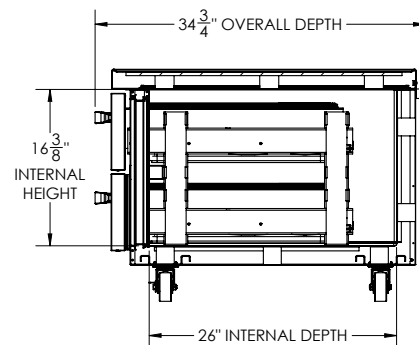
### Model Views



### PLAN VIEW



### ELEVATION VIEW



### SIDE VIEW

### \*ELECTRICAL CONNECTION



115/60/1  
NEMA 5-15P

Units pre-wired at factory and include 8' long cord and plug set.



an Ali Group Company



The Spirit of Excellence