



# BEVERAGE-AIR

Project: _____	AIA#
Item: _____	SIS#
Location: _____	
Approved: _____	

## WTR WORKTOP REFRIGERATOR

### WTR20HC-25 Glass Door Worktop Refrigerators Hydrocarbon Series

**MODELS:**  
WTR20HC-25

WTR20HC-25 Shallow Depth Worktop: Food Prep Series

**3 Year Parts/Labor Warranty**  
**Additional 2 Year Compressor Warranty**

### CABINET CONSTRUCTION

- Stainless steel front, sides and door, (*galvanized steel back & bottom*)
- Interior liner is made of corrosion resistant aluminum
- Full electronic control
- Stainless steel worktop
- 4" High removable backsplash for flexibility and ease of cleaning
- LED light
- Interior thermometer is standard
- Self-closing doors with 120° stay-open feature, on cartridge style hinges
- Easy door removal for service and cleaning
- Magnetic gasket attached to each door for positive seal
- Anti-microbial door handle
- 6" Casters, two (2) with brakes standard
- Two epoxy-coated steel wire shelves standard
- Field reversible door
- Maintains product temperature between 36°F and 38°F

### REFRIGERATION SYSTEM

- Refrigeration system uses R290 refrigerant to comply with all environmental concerns
- Automatic, non-electric defrost
- Epoxy coated evaporator coil



WTR20HC-25

### OPTIONS & ACCESSORIES

- Stainless steel back and grille
- Stainless steel interior
- Right or left hinged door
- Locks (solid doors only)
- Bun rack
- Wire shelf divider
- Cutting board
- Thermometer digital or stem type dial
- 3" Casters or 6" legs
- Low profile casters
- Remote option



3779 Champion Blvd., Winston-Salem, NC 27105  
1-888-845-9800 Fax: 1-336-245-6453  
Beverage-Air.com sales@bevair.com

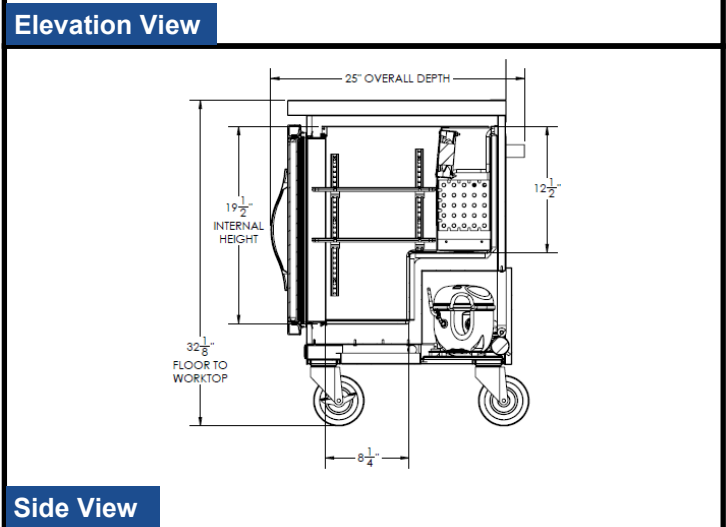
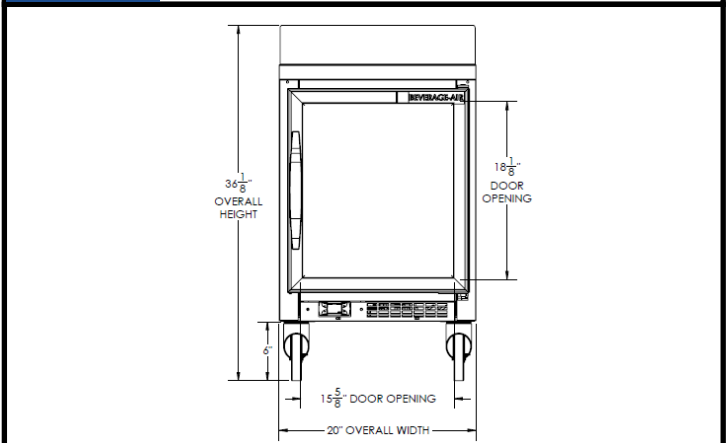
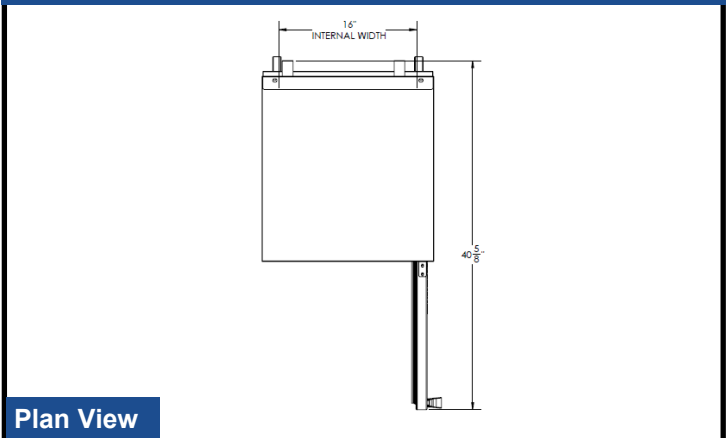


# BEVERAGE-AIR

## Worktop Refrigerator - Shallow Depth Models: WTR20HC-25

MODEL	WTR20HC-25
<b>EXTERNAL DIMENSIONAL DATA</b>	
Width Overall	20"
Depth Overall with Handle & Bumper	25"
Height Overall with 6" Casters	36 1/8"
Number of Doors	1
Depth with Door Open 90°	40 5/8"
Door Opening (in)	15 5/8" x 18 1/8"
<b>INTERNAL DIMENSIONAL DATA</b>	
NET Capacity (cubic ft.)	2.34
Internal Width Overall (in)	16"
Internal Depth Overall (in)	16 3/8"
Internal Depth Useable (in)	Upper 11" Lower 8 1/4"
Internal Height Overall (in)	19 1/2"
Internal Height Useable (in)	12 1/2"
Number of Shelves	2
<b>ELECTRICAL DATA</b>	
Full Load Amperes 115/60/1	2.0
<b>REFRIGERATION DATA</b>	
Horsepower	1/6
Capacity (BTU/Hr)*	1094
<b>WEIGHT DATA</b>	
Gross Weight (Crated lbs)	136 lbs
Height - Crated	35"
Width - Crated	23"
Depth - Crated	26"

### Model Views



### ELECTRICAL CONNECTION



115/60/1  
NEMA-5-15P

Units pre-wired at factory and include 8' long cord and plug set.



an Ali Group Company



The Spirit of Excellence

3779 Champion Blvd., Winston-Salem, NC 27105  
1-888-845-9800 Fax: 1-336-245-6453  
Beverage-Air.com sales@bevair.com