



BEVERAGE-AIR

Project: _____

AIA#

Item: _____

Location: _____

SIS#

Approved: _____

UCF UNDERCOUNTER FREEZER

UCF24HC Solid Door

Hydrocarbon Series

**MODELS:
UCF24HC**



UCF24HC

**3 Year Parts/Labor Warranty
Additional 2 Year Compressor Warranty**

CABINET CONSTRUCTION

- Stainless steel front, sides, top, door, (*galvanized steel back & bottom*)
- Interior liner is made of corrosion resistant aluminum
- Full electronic control
- Undercounter feature a 1/2" thick sub-top
- Interior thermometer is standard
- Self-closing door with 120° stay-open feature, on cam-lift hinges
- Easy door removal for service and cleaning
- Magnetic gasket attached to each door for positive seal
- Painted aluminum door handle
- 6" Casters, two (2) with brakes standard
- Two epoxy-coated steel wire shelves standard
- Field reversible door
- Freezer temperatures is held at 0°F or below

OPTIONS & ACCESSORIES

- Stainless steel back and grille
- Stainless steel interior
- Solid door with lock
- 6" Legs
- 3" Casters
- Low profile casters
- Foot pedal opener

REFRIGERATION SYSTEM

- Refrigeration system uses R290 refrigerant to comply with all environmental concerns
- Automatic, non-electric evaporator
- System is serviceable from rear
- Epoxy coated evaporator coil

UCF24HC Undercounter Freezer: Food Prep Series



3779 Champion Blvd., Winston-Salem, NC 27105
1-888-845-9800 Fax: 1-336-245-6453
Beverage-Air.com sales@bevair.com



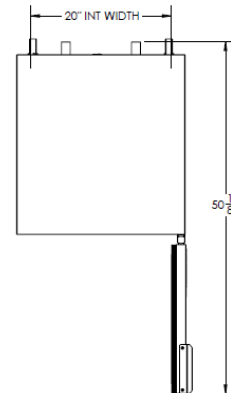
BEVERAGE-AIR

MODEL	UCF24HC
EXTERNAL DIMENSIONAL DATA	
Width Overall	24"
Depth Overall	29 7/8"
Height Overall with 6" casters	34 5/8"
Number of Doors	1
Depth with Door Open 90°	50 1/8"
Door Opening (in)	19 5/8" X 21 5/8"
Shelf Area (sq. in)	Upper 332 1/2" Lower 275 1/2"
INTERNAL DIMENSIONAL DATA	
NET Capacity (cubic ft.)	4.84
Internal Width Overall (in)	20"
Internal Depth Overall (in)	21 1/4"
Internal Depth Useable (in)	Upper 16" Lower 13 1/8"
Internal Height Overall (in)	23"
Internal Height Useable (in)	16"
Number of Shelves	2
ELECTRICAL DATA	
Full Load Amperes 115/60/1	2.5
REFRIGERATION DATA	
Horsepower	1/3
Capacity (BTU/Hr)*	1418
WEIGHT DATA	
Gross Weight (Created lbs)	182 lbs
Height - Crated	34"
Width - Crated	30"
Depth - Crated	32"

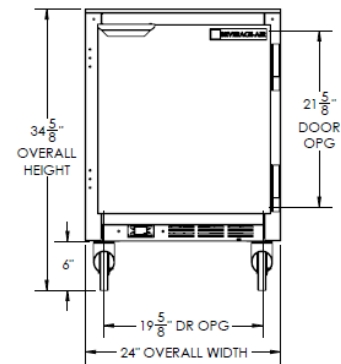
Undercounter Freezer

Models: UCF24HC

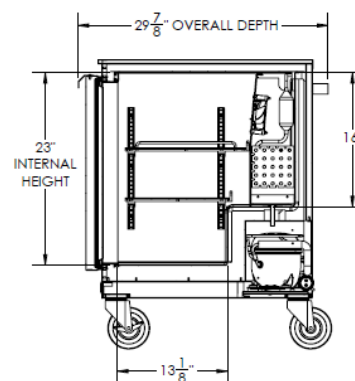
Model Views



Plan View



Elevation View



Side View

ELECTRICAL CONNECTION



115/60/1
NEMA-5-15P

Units pre-wired at factory and include 8' long cord and plug set.



an Ali Group Company



The Spirit of Excellence

3779 Champion Blvd., Winston-Salem, NC 27105
1-888-845-9800 Fax: 1-336-245-6453
Beverage-Air.com sales@bevair.com