



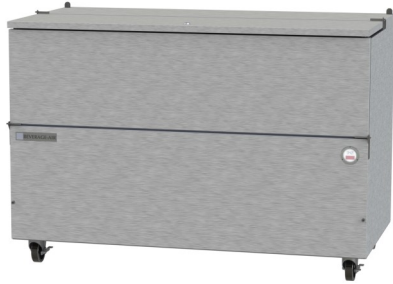
BEVERAGE-AIR

Project: _____	AIA#
Item: _____	
Location: _____	SIS#
Approved: _____	

SM SCHOOL MILK COOLERS

SM58HC Single Access, Cold Wall
Hydrocarbon Series

MODELS:
SM58HC-S
SM58HC-W



SM58HC-S



SM58HC-W

3 Year Parts/Labor Warranty
Additional 2 Year Compressor Warranty

CABINET CONSTRUCTION

- SS units: Stainless steel exterior and interior
- White units: White coated steel exterior and interior is galvanized steel with stainless steel floor for maximum milk crate support.
- Lids, doors, adjustable hinges and door latches made from stainless steel are standard on all units
- Full electronic Control
- Heavy-duty epoxy coated steel wire floor racks standard
- Floor drain is centrally located for easy cleaning, connecting to drain hose with hose adapter
- Flexible compression door gaskets ensure tight seal
- Self-latching doors/lids with safety bumpers
- Exterior thermometer
- Cylinder lock
- 4" Heavy-duty plate casters (2 with locks)
- Maintains continuous milk temperature between 36° - 38°F

OPTIONS & ACCESSORIES

- Wrap around & corner bumpers
- Graphics

REFRIGERATION SYSTEM

- Refrigeration system uses R290 refrigerant to comply with all environmental concerns
- Automatic, non-electric defrost
- Epoxy coated evaporator coil

SM58HC Single Access, Cold Wall : School Milk Series



3779 Champion Blvd., Winston-Salem, NC 27105
1-888-845-9800 Fax: 1-336-245-6453
Beverage-Air.com sales@bevair.com



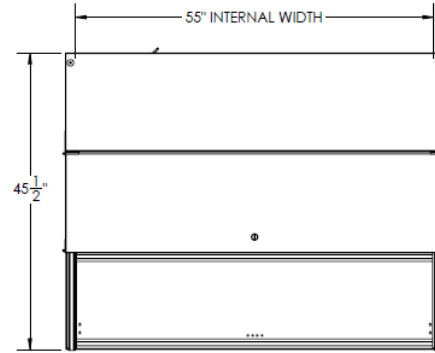
BEVERAGE-AIR

SM Series—School Milk Cooler

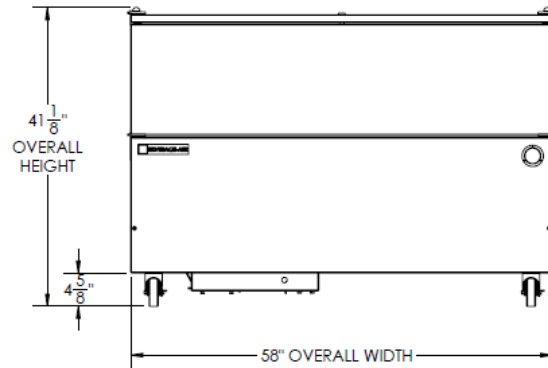
Models: SM58HC-S, SM58HC-W

MODEL	SM58HC-S	SM58HC-W
EXTERNAL DIMENSIONAL DATA		
Width Overall	58"	58"
Depth Overall	30 5/8"	30 5/8"
Height Overall with 4" Casters	41 1/8"	41 1/8"
Number of Lids/Doors	Single Access	Single Access
INTERNAL DIMENSIONAL DATA		
NET Capacity (cubic ft.)	22.63	22.63
Internal Width Overall (in)	55"	55"
Internal Depth Overall (in)	27"	27"
Internal Height Overall (in)	25 3/4"	25 3/4"
CASE CAPACITIES		
13" x 13" x 11"	16	16
19" x 13" x 11"	10	10
ELECTRICAL DATA		
Full Load Amperes 115/60/1	2.2	2.2
REFRIGERATION DATA		
Horsepower	1/3	1/3
Capacity BTU	1434	1434
WEIGHT DATA		
Gross Weight (Crated lbs)	376 lbs	376 lbs
Height - Crated	47"	47"
Width - Crated	61"	61"
Depth - Crated	34"	34"

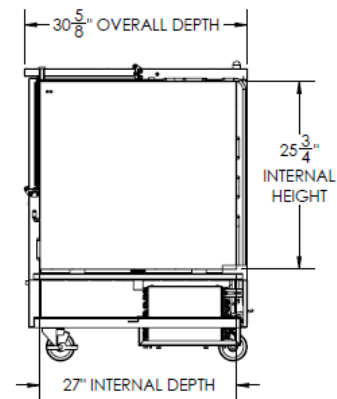
Model Views



Plan View



Elevation View



Side View

ELECTRICAL CONNECTION



115/60/1
NEMA-5-15P

Units pre-wired at factory and include 8' long cord and plug set.



an Ali Group Company



The Spirit of Excellence

3779 Champion Blvd., Winston-Salem, NC 27105
1-888-845-9800 Fax: 1-336-245-6453
Beverage-Air.com sales@bevair.com