



# BEVERAGE-AIR

Project: _____	AIA#
Item: _____	SIS#
Location: _____	
Approved: _____	

## COUNTERCHILL

### CF031AG Mini Blast Chiller/Freezer

**MODEL:  
CF031AG**

**3 Year Parts/Labor Warranty  
Additional 2 Year Compressor Warranty**

### CABINET CONSTRUCTION

- Stainless steel exterior and interior
- Slot-in type shelf supports made of stainless steel
- Electronic control display
- Control and command circuit board, 99 user programmable custom parameters
- Cabinet features a core temperature probe to insert in the food to measure the blast chilling and freezing temperature
- Timed manual defrost device
- Ergonomic handles and magnetic perimetral seals.
- Self-closing doors with still position at 100°
- Unit comes standard with three (3) shelf supports to accommodate 3 pans (13" x 21") (pans not included)
- Shelves supports are adjustable in 1 1/2" to 3" centers
- Stainless steel wire rack structure, which provides excellent air circulation, minimizing the time required to blast chill the food
- Oven to Chiller capable



**CF031AG**

### REFRIGERATION SYSTEM

- Refrigeration system uses R404A for compliance with environmental safety standards
- Evaporator with high ventilation ensures that the cooling system works with unbeatable efficiency
- Automatic condensation evaporation system that does not require power

**CF031AG : COUNTER CHILL: Mini Blast Chiller / Freezer**



3779 Champion Blvd., Winston-Salem, NC 27105  
 1-888-845-9800 Fax: 1-336-245-6453  
 Beverage-Air.com sales@bevair.com



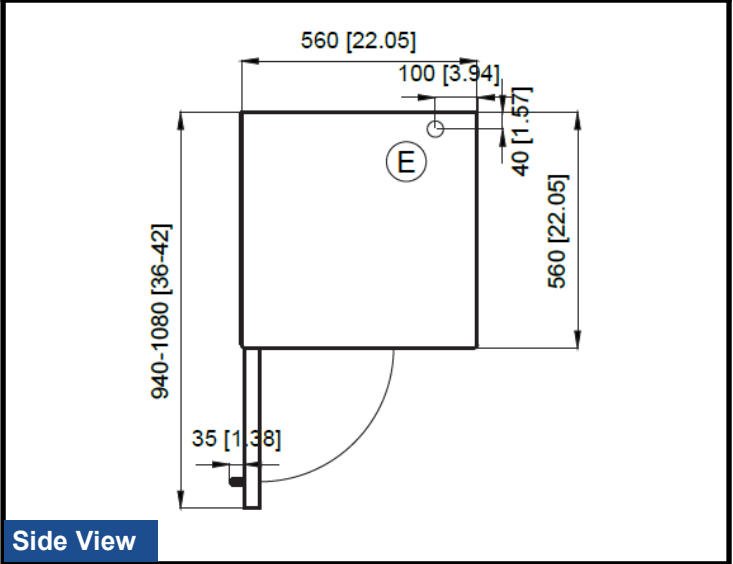
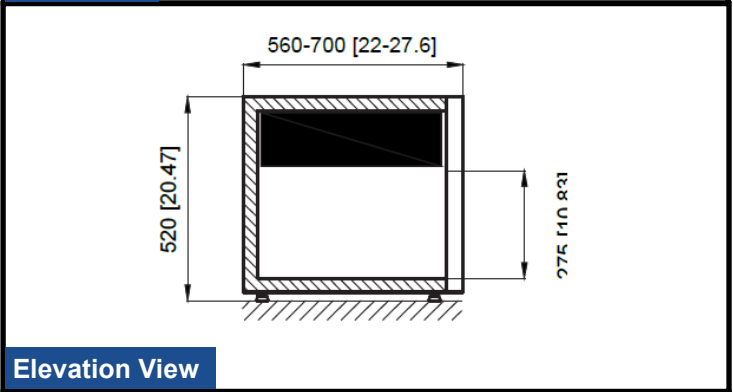
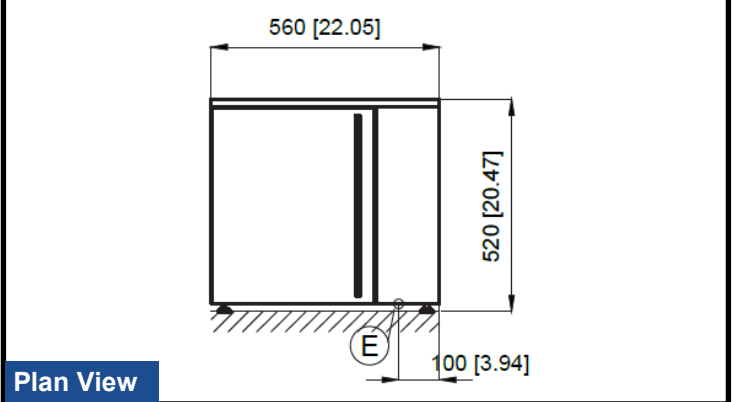
# BEVERAGE-AIR

## Counterchill - Mini Blast Chiller

Models: CF031AG

MODEL	CF031AG
<b>EXTERNAL DIMENSIONAL DATA</b>	
Width Overall	22"
Depth Overall	27.6"
Height Overall	20.5"
Door Opening Height	10 3/4"
<b>INTERNAL DIMENSIONAL DATA</b>	
Chilling Cycle	+194°F → +37°F
Chilling Capacity 90 minutes (lbs)	17.6 lbs
Freezing Cycle	+194°F → 0°F
Freezing Capacity 240 minutes (lbs)	11 lbs
Distance Between Adjustable Tray Slides (in)	1 1/2"-3"
<b>ELECTRICAL DATA</b>	
Electric Power Supply	115/1/60
Input Electric	561
Max Absorbed Current	9.9
<b>WEIGHT DATA</b>	
Gross Weight (Crated lbs)	176 lbs
Height - Crated	29 1/4"
Width - Crated	35"
Depth - Crated	26 1/2"

### Model Views



### ELECTRICAL CONNECTION



115/60/1  
NEMA-5-15P

Units pre-wired at factory and include cord and plug set.



an Ali Group Company



The Spirit of Excellence

3779 Champion Blvd., Winston-Salem, NC 27105  
1-888-845-9800 Fax: 1-336-245-6453  
Beverage-Air.com sales@bevair.com